

DS-D5022F2-1P1 21.5 inch FHD Borderless Monitor



- Ultra-thin device body with 3 ultra-narrow sides.
- IPS technology for wide, 178° viewing angle
- 100 Hz refresh rate, more fluid and life-like video
- Excellent color with sharp details

▪ Specification

Model		DS-D5022F2-1P1
Display	Screen Size	21.45 inch
	Active Display Area	478.656 (H) mm × 260.280 (V) mm
	Resolution	1920 × 1080
	Backlight	E-LED
	Pixel Pitch	0.241 mm (H) × 0.241 mm (V)
	Brightness	300 cd/m ²
	Viewing Angle	178° (H)/178° (V)
	Color Depth	8 bit, 16.7 M
	Contrast Ratio	1000:1
	Response Time	1 ms
	Refresh Rate	Max. 100Hz , Typ. 60 Hz
	Haze	Haze 25%, 3H
	Reliability	7 × 24 H
	Color Gamut	72% NTSC
Interface	Video & Audio Input	HDMI 1.4 × 1, VGA × 1
	Video & Audio Output	None
	Data Transmission Interface	None
	Control Interface	None
Power	Power Supply	12 VDC, 2.5 A
	Power Consumption	≤ 25 W
	Standby Consumption	≤ 0.5 W
Working Environment	Working Temperature	0 °C to 40 °C (32 °F to 104 °F)
	Working Humidity	20% to 90% RH (Non-Condensing)
	Storage Temperature	-20 °C to 60 °C (-4 °F to 140 °F)
	Storage Humidity	10% to 90% RH (Non-Condensing)

Headquarters

No.555 Qianmo Road, Binjiang District,
Hangzhou 310051, China
T +86-571-8807-5998
www.hikvision.com



Follow us on social media to get the latest product and solution information.



Hikvision



HikvisionHQ



HikvisionHQ



Hikvision_Global



Hikvision
Corporate Channel



hikvisionhq

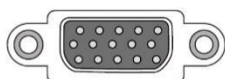
General	Casing Material	Plastic
	VESA	100 mm × 100 mm (4 - M4 × 10 mm)
	Bezel Width	2.0 mm (top/left/right), 21.0 mm (bottom)
	Product Dimensions (W × H × D)	With base: 491.8 (W) mm × 373.2 (H) mm × 167.4 (D) mm (19.362" × 14.693" × 6.591") Without base: 491.8 (W) mm × 289.5(H) mm × 37.3 (D) mm (19.362" × 11.398" × 1.469")
	Package Dimensions (W × H × D)	542 (W) mm × 353 (H) mm × 110 (D) mm (21.34" × 13.9" × 4.331")
	Net Weight	2.3 ± 0.5 kg
	Gross Weight	3.2 ± 0.5 kg
	Packing List	Monitor × 1, Base component × 1, Power adapter (12 V, 2.5 A) × 1, HDMI cable (1.5 m) × 1, User manual × 1, Multilingual manual × 1
	Remarks	The base is included by default. The product appearance and parameters in this specification may vary from your actual device. Please consult our local sales staff for further information

Physical Interface

Interface	Description	Interface	Description
HDMI	HDMI 1.4 digital signal input interface	VGA	VGA analog signal input interface
DC	12 VDC 2.5 A input interface		



HDMI



VGA



DC

Available Model

DS-D5022F2-1P1

Headquarters

No.555 Qianmo Road, Binjiang District,
Hangzhou 310051, China
T +86-571-8807-5998
www.hikvision.com



Follow us on social media to get the latest product and solution information.



Hikvision



HikvisionHQ



HikvisionHQ



Hikvision_Global

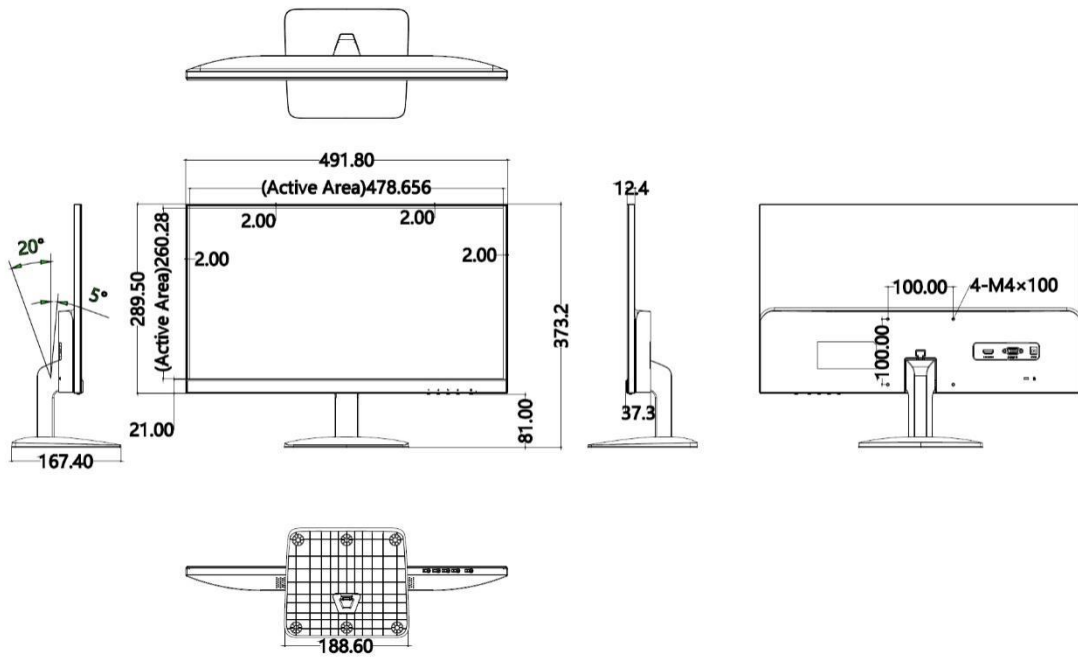


Hikvision
Corporate Channel



hikvisionhq

▪ **Dimension**



Unit: mm

Headquarters

No.555 Qianmo Road, Binjiang District,
Hangzhou 310051, China
T +86-571-8807-5998
www.hikvision.com



Follow us on social media to get the latest product and solution information.

